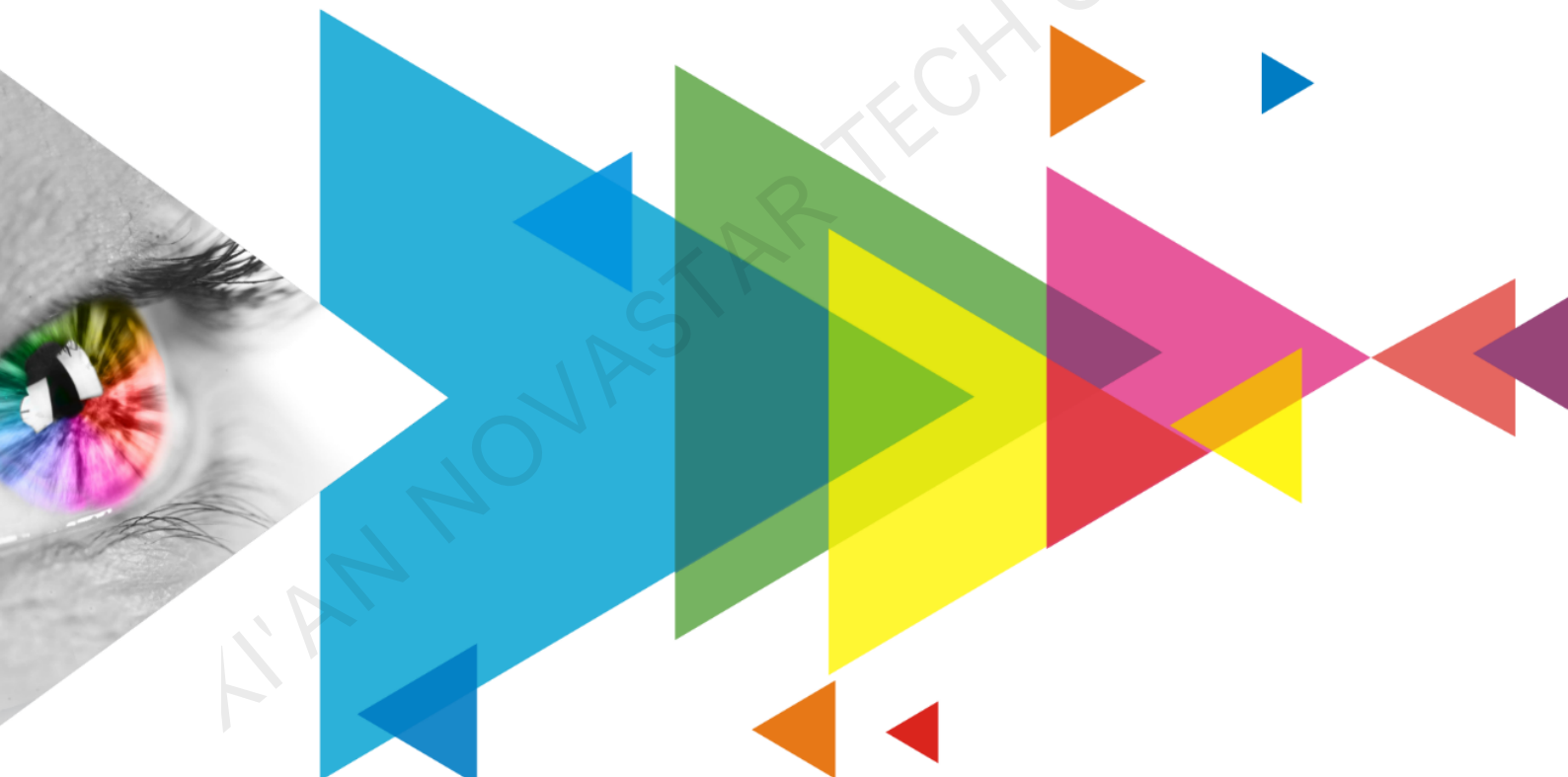


MON300

Monitoring Card

V2.1.3



Specifications

Change History

Document Version	Release Date	Description
V2.1.3	2021-02-06	Added the certification information.
V2.1.2	2020-07-01	<ul style="list-style-type: none"> • Added the product introduction. • Added the net weight data. • Updated the feature description. • Optimized the dimensions diagram style. • Optimized the specifications table.

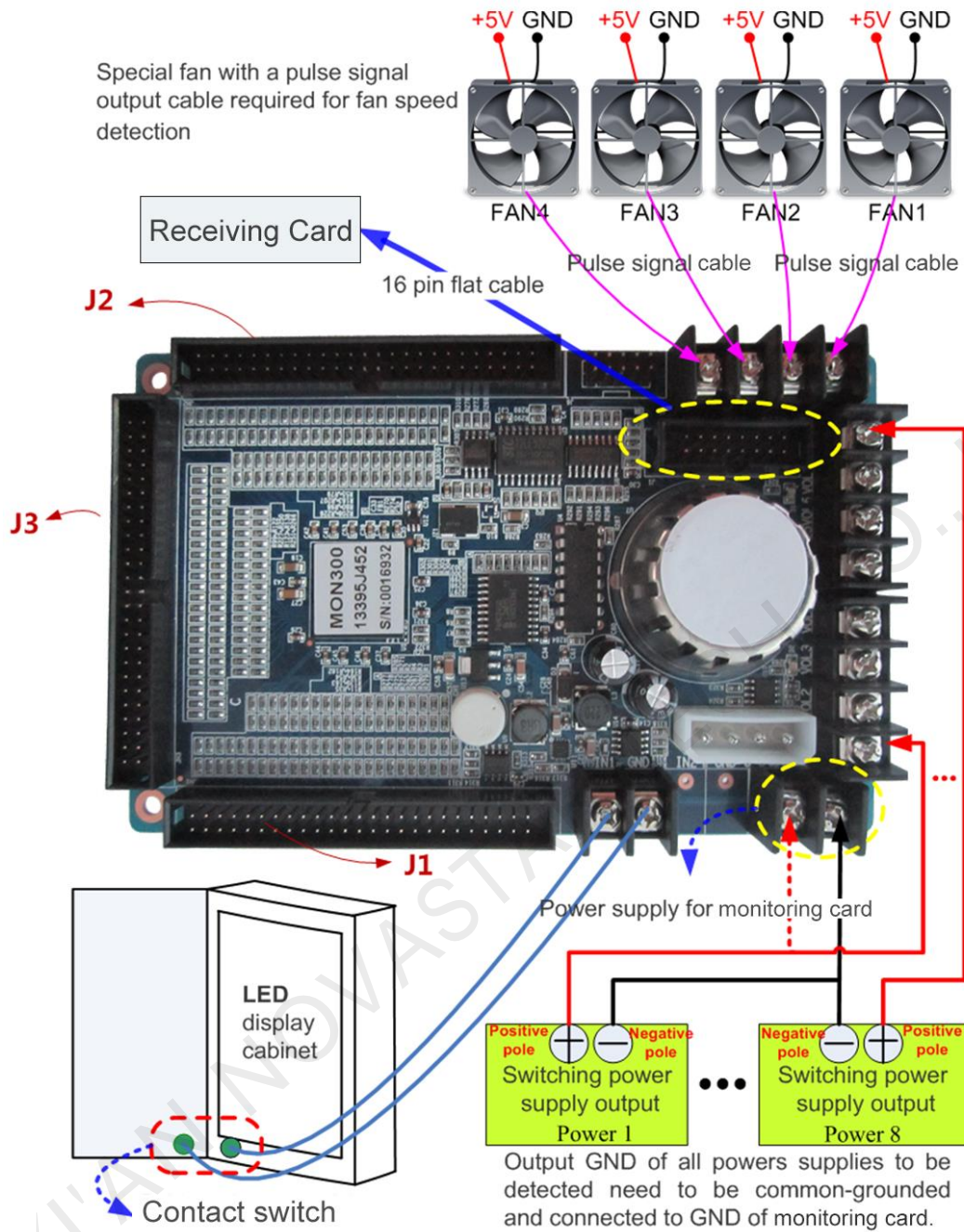
Introduction

The MON300 is a monitoring card designed for engineering projects and projects with high safety requirements. It works with the MRV320 and MRV560 receiving cards.

Features

- Open circuit detection for each LED (The supporting driver IC and hub board required)
- Flat cable fault detection (The supporting hub board required)
- Cabinet temperature detection (No need to buy an extra module)
- Cabinet humidity detection (No need to buy an extra module)
- Voltage detection of 8 power supplies
- Speed detection of 4 fans
- Cabinet door open/close status detection

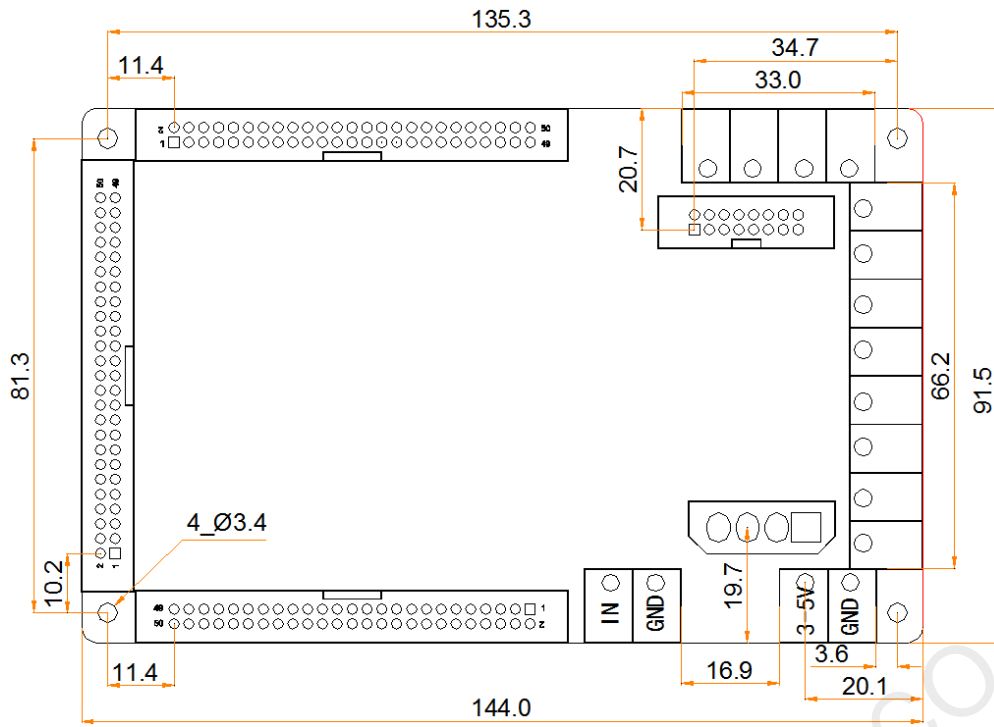
Appearance



All product pictures shown in this document are for illustration purpose only. Actual product may vary.

Dimensions

The board thickness is 1.6 mm, and the total thickness (board thickness + thickness of components on the top and bottom sides) is about 22.5 mm.



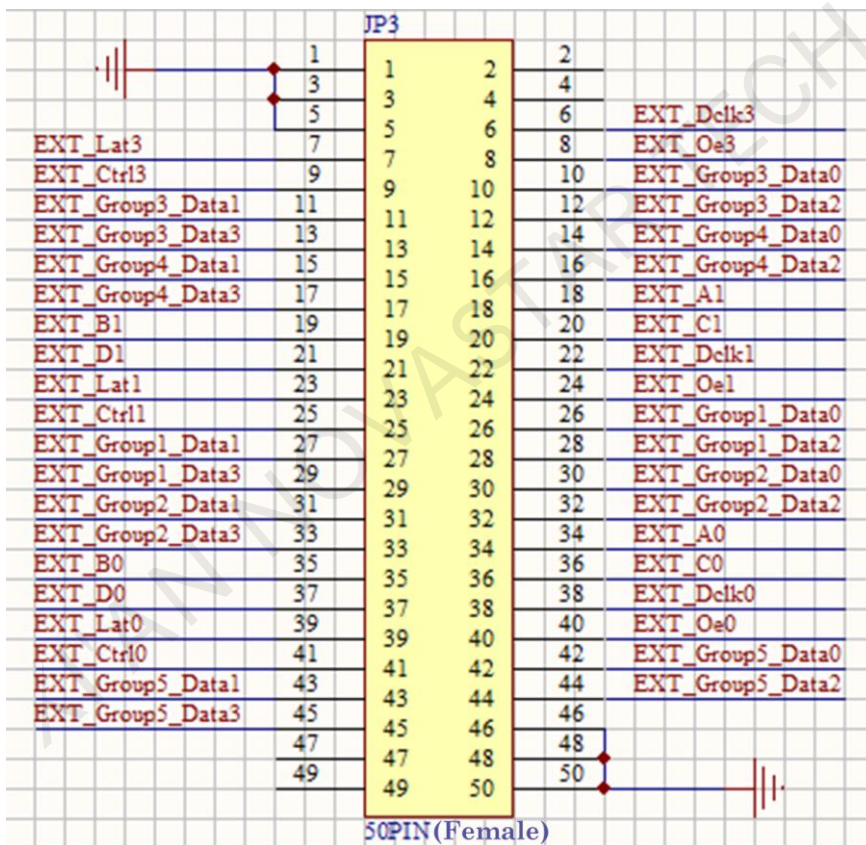
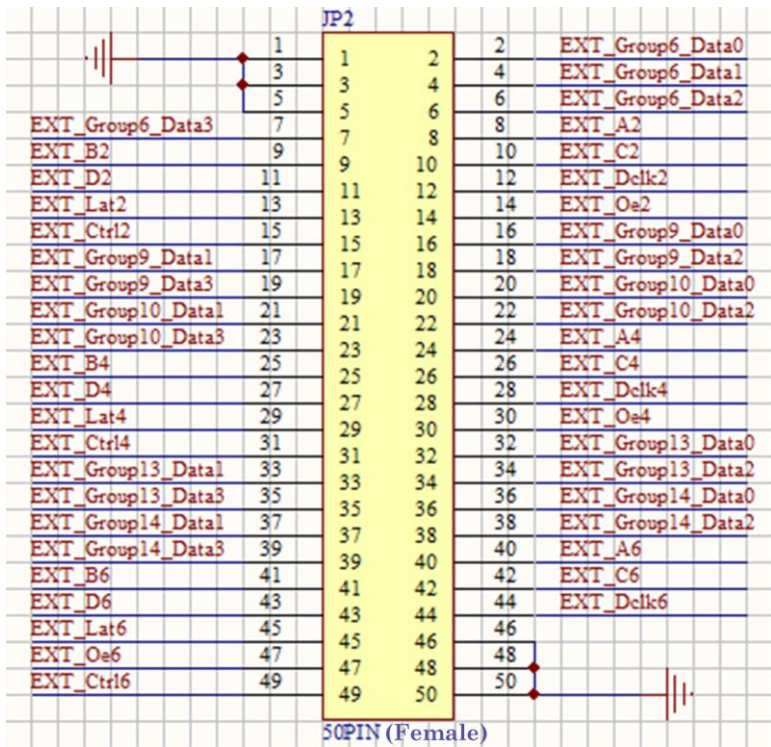
Tolerance: ±0.1 Unit: mm

Pins

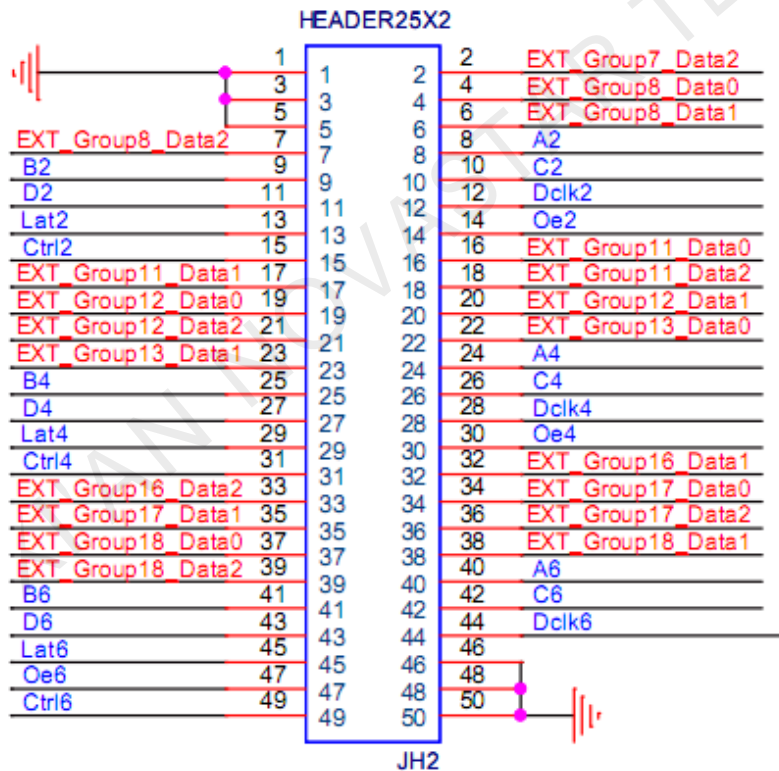
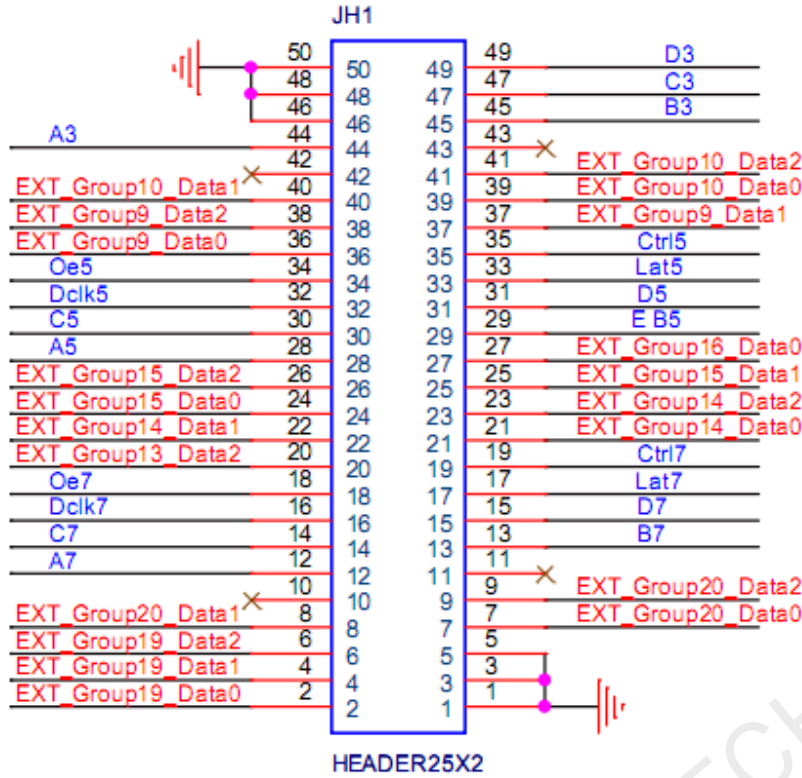
16 Groups of Data

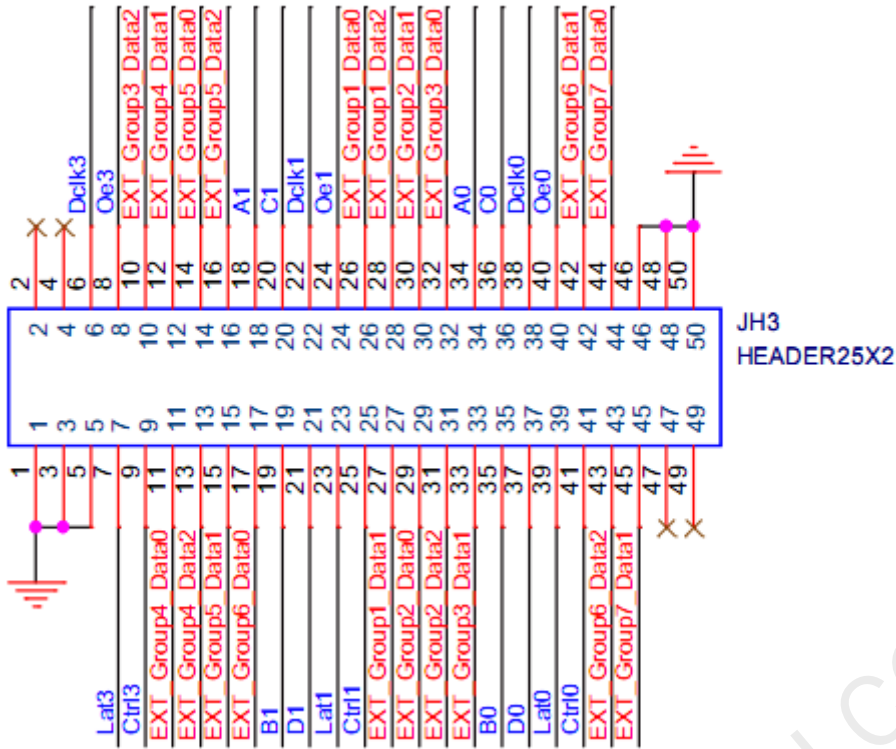
	JP1		
	1	2	EXT_Group15_Data0
	3	4	EXT_Group15_Data1
	5	6	EXT_Group15_Data2
EXT_Group15_Data3	7	8	EXT_Group16_Data0
EXT_Group16_Data1	9	10	EXT_Group16_Data2
EXT_Group16_Data3	11	12	EXT_A7
EXT_B7	13	14	EXT_C7
EXT_D7	15	16	EXT_Dclk7
EXT_Lat7	17	18	EXT_Oe7
EXT_Ctrl7	19	20	EXT_Group11_Data0
EXT_Group11_Data1	21	22	EXT_Group11_Data2
EXT_Group11_Data3	23	24	EXT_Group12_Data0
EXT_Group12_Data1	25	26	EXT_Group12_Data2
EXT_Group12_Data3	27	28	EXT_A5
EXT_B5	29	30	EXT_C5
EXT_D5	31	32	EXT_Dclk5
EXT_Lat5	33	34	EXT_Oe5
EXT_Ctrl5	35	36	EXT_Group7_Data0
EXT_Group7_Data1	37	38	EXT_Group7_Data2
EXT_Group7_Data3	39	40	EXT_Group8_Data0
EXT_Group8_Data1	41	42	EXT_Group8_Data2
EXT_Group8_Data3	43	44	EXT_A3
EXT_B3	45	46	
EXT_C3	47	48	
EXT_D3	49	50	

50PIN (Female)



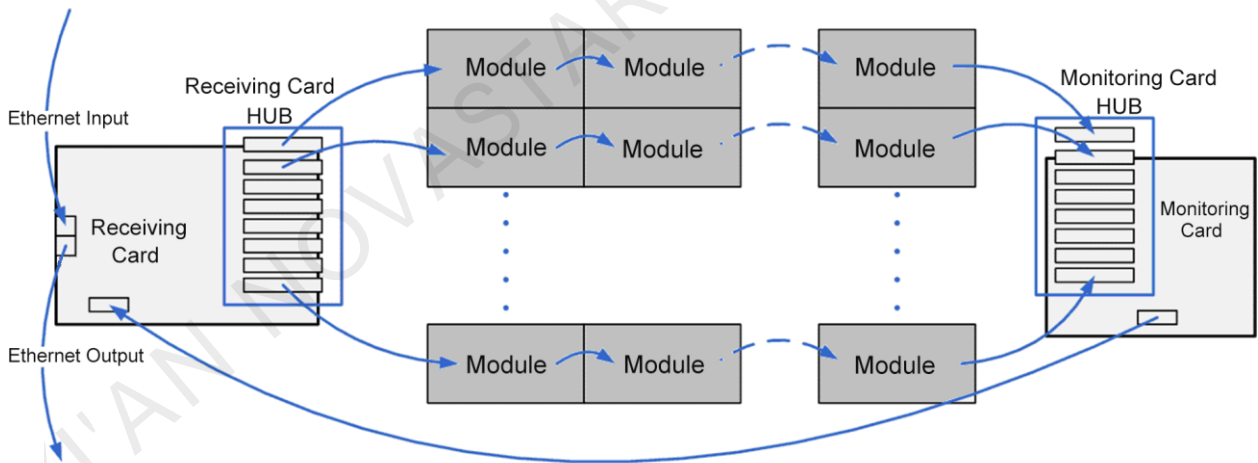
20 Groups of Data



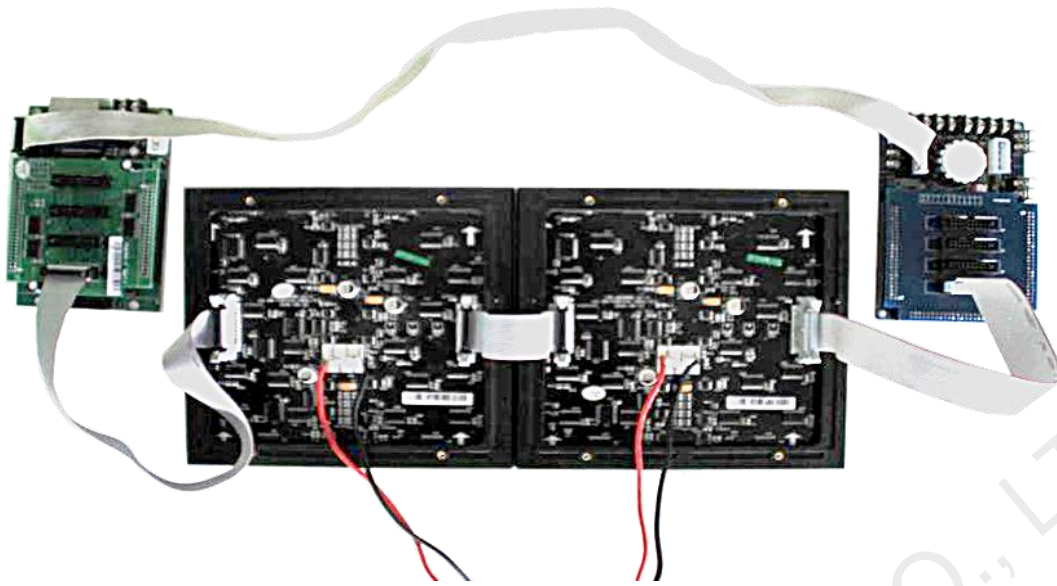


Connections

Illustration Diagram



Physical Connection Diagram



Specifications

Electrical Specifications	Rated voltage	DC 5.0 V
	Rated current	0.15 A
	Rated power consumption	0.75 W
Operating Environment of MON300	Temperature	-20°C to +60°C
	Humidity	0% RH to 95% RH, non-condensing
Operating Environment of Smoke Sensor	Temperature	-20°C to +60°C
	Humidity	0% RH to 60% RH, non-condensing
Physical Specifications	Dimensions	144.0 mm × 91.5 mm × 22.5 mm
	Net weight	115.7 g
Monitoring Indicators	Humidity	1% RH to 99% RH
	Smoke	FW HW < 0.7 Mev
	Voltage	0 V to 12 V
Certifications	EMC, RoHS, PFOS	

Note

DO NOT apply the conformal coating to the MON300 surface, otherwise its humidity monitoring function may fail.

Copyright © 2021 Xi'an NovaStar Tech Co., Ltd. All Rights Reserved.

No part of this document may be copied, reproduced, extracted or transmitted in any form or by any means without the prior written consent of Xi'an NovaStar Tech Co., Ltd.

Trademark

 is a trademark of Xi'an NovaStar Tech Co., Ltd.

Statement

Thank you for choosing NovaStar's product. This document is intended to help you understand and use the product. For accuracy and reliability, NovaStar may make improvements and/or changes to this document at any time and without notice. If you experience any problems in use or have any suggestions, please contact us via the contact information given in this document. We will do our best to solve any issues, as well as evaluate and implement any suggestions.

[Official website](http://www.novastar.tech)
www.novastar.tech

[Technical support](mailto:support@novastar.tech)
support@novastar.tech