



A100

Player

Specification V2.0

Overview

A100 is a new-generation cloud networking player that supports synchronous display and asynchronous playback. It supports an output of up to 1920×1200@60Hz resolution. Based on the ColorlightCloud platform, functions such as player monitoring, program creating, program scheduling, program centralized publishing, and multi-level management are supported.

The A100 player supports various networking methods such as WiFi, wired and 4G networking, and can be deployed quickly to achieve intelligent cloud management, including multi-screen, multi-business and cross-regional unified management.

With the use of PlayerMaster, you can edit and publish programs to A100. Arbitrary multi-window layout and playback of various program materials such as videos, pictures, texts, tables, clocks, stream media, webpages and weather are also supported. Besides, A100 supports the decoding and playback of up to two 1080p videos simultaneously.

A100 has a permanent WiFi hotspot, and can connect to other WiFi hotspots. Program management and parameter settings can be achieved via smartphone, tablet and PC. A100 supports command scheduling and program scheduling, and can achieve automatic brightness setting with the use of brightness sensors.





A100 supports plug and play content from USB flash drive. Program update and management can be achieved via wired network.

As a brand-new networking control system, A100 has an edge in the application of outdoor commercial advertisement screens, and the screen of chain stores, retail stores and advertisement players.

Features

Brand-new breakthroughs

- Supporting accessing network via WiFi, LAN or 4G module (optional) for cloud centralized management
- Support synchronous display and asynchronous playback, as well as the priority setting of these two modes
- Loading capacity: 1.3 million pixels, maximum width: 4096 pixels, or maximum height: 2560 pixels, supporting sync-signal scaling
- The async-mode supports an output of up to 1920×1200@60Hz resolution, with a maximum width of 4096 pixels or a maximum height of 2560 pixels
- Support audio output
- 8G storage (4G available), support USB playback
- Compatible with the method of program management and display configuration in all respects for conventional synchronous control systems

Safe and reliable

- System authorization, supporting data encryption
- Multi-level permission management, with rigorous audit mechanism for program publishing
- Real-time monitoring of playback content and timely feedback on operating status
- Support sensor data display, cloud detection and auto-reaction

Intelligent control, convenient management

- Plug and play content from USB flash drive
- Synchronized playback of multiple screens (GPS synchronization, NTP synchronization)
- Support scheduled commands, LAN-based scheduling and Internet-based scheduling
- Support being configured as WiFi hotspot and being managed via PC, smartphone and Pad
- Support monitoring of operating temperature, humidity and brightness, as well as automatic adjustment of display brightness

Convenient program management

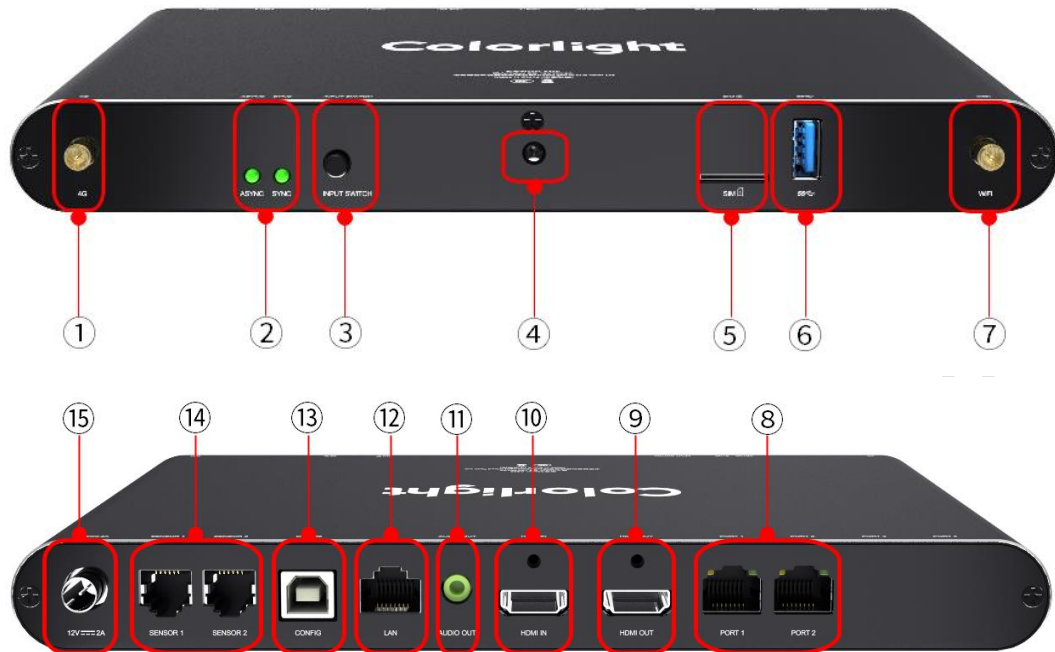
- Use PlayerMaster with comprehensive functions for editing programs, flexible and convenient
- Support overlaying of multiple windows, whose size and location can be freely adjusted
- Rich media materials, such as pictures, videos, texts, tables, clocks, stream media, webpages and weather
- Support playing multiple program pages

Specification

Basic parameters	
Storage	8GB (4GB available)
RAM	1GB
OS	Android OS 9.0
Loading capacity	Up to 1.3 million pixels, with a maximum width of 4096 pixels, or a maximum height of 2560 pixels
Receiver cards supported	All series of Colorlight receiver cards
External ports	
Audio output	Support 1/8" (3.5mm)TRS connector
USB	USB3.0 port, connect to the USB flash drive or other communication devices
CONFIG	Connect to the PC for debugging or program publishing
HDMI input	HDMI1.4 input
HDMI output	HDMI1.4 output, support loop output of sync and async signals
PORT1~2	Output signals to receiver cards
LAN port	Fast Ethernet port, for access to the local area network
WiFi-AP	Used as a WiFi router that offers WiFi hotspot
4G (Optional)	Access the wide area network
GPS (Optional)	Positioning, multi-screen synchronization
Remote control	Convenient remote control
Physical parameters	
Dimensions	234.8×137.4×26mm
Operating voltage	DC 12V
Rated power consumption	12W
Weight	0.9kg
Operating temperature	-20°C~65°C
Ambient humidity	0-95%, non-condensing

File format	
Split program window	Support arbitrary splitting and overlaying of windows, and multi-page playback
Video format	HEVC (H.265), H.264, MPEG-4 Part 2 and Motion JPEG
Audio format	AAC-LC, HE-AAC, HE-AAC v2, MP3, Linear PCM
Image format	bmp, jpg, png, gif, webp, etc.
Text format	txt, rtf, word, ppt, excel, etc. (Used in conjunction with PlayerMaster)
Text display	Single-line text, multi-line text, static text and scrolling text
Multi-window display	Support up to 4 video windows (support only one HD window when there are 4 video windows), multiple pictures/texts, scrolling texts, scrolling pictures, LOGO, date/time/week and weather forecast windows. Flexible content display in different areas.
Window overlaying	Support arbitrary overlapping with transparent and opaque effects
RTC	Real-time clock display and management
Terminal management and automatic control	
Communication methods	Access the local area network via USB cable, LAN port or WiFi; access the wide area network via 4G
Program update	Use a USB drive for plug and play content, use wireless network, or publish programs to the player via a USB cable
Management device	Intelligent terminals such as PC, and Android and iOS devices
Wireless control	Real-time brightness adjustment, switch between sync and async modes, turn on or off the display, configure system parameters, control program playback, publish programs
Automatic brightness adjustment	Support automatic brightness adjustment according to time or ambient light
LAN-based scheduling	Support setting spot and rotation programs, as well as timing brightness adjustment, timing sleep, timing wakeup and timing reboot
Management software	PlayerMaster, ColorlightCloud, LED Assistant

Hardware



Port description:

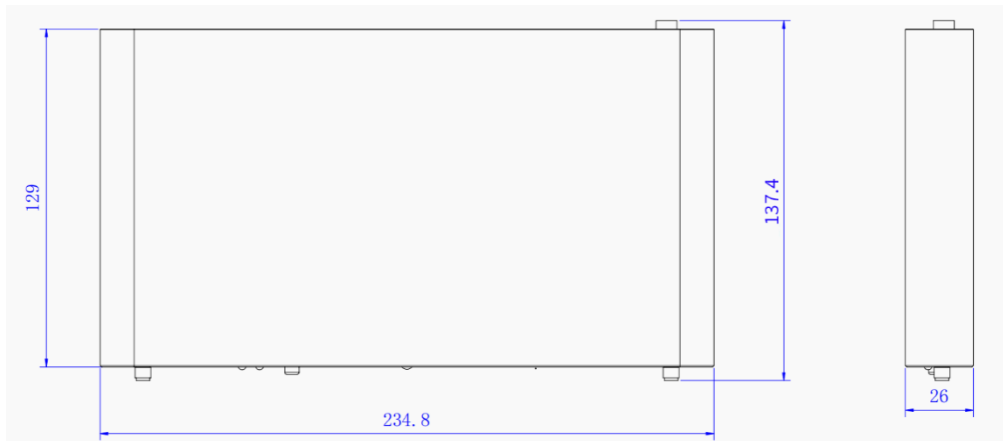
No.	Name	Function
1	4G	Connect to the 4G antenna (Optional)
2	ASYNC SYNC	Indicator of sync and async modes
3	INPUT SWITCH	Switch between sync and async modes
4	IR	Receive information via infrared light
5	SIM	Micro-SIM card slot
6	USB	Connect to the USB flash drive or USB camera
7	WiFi	Connect to the WiFi antenna
8	PORT1-2	Ethernet output, connect to receiver cards of the display
9	HDMI OUT	Output sync or async HDMI signal
10	HDMI IN	Input sync HDMI signal
11	AUDIO OUT	HiFi stereo output
12	LAN	Fast Ethernet port
13	CONFIG	USB-B port, connect to the PC for debugging or program publishing
14	SENSOR 1/2	RJ11 port, connect to the sensor for automatic brightness adjustment, or monitoring ambient light, smoke, temperature, humidity and air quality
15	12V=2A	DC 12V power input

Dimensions

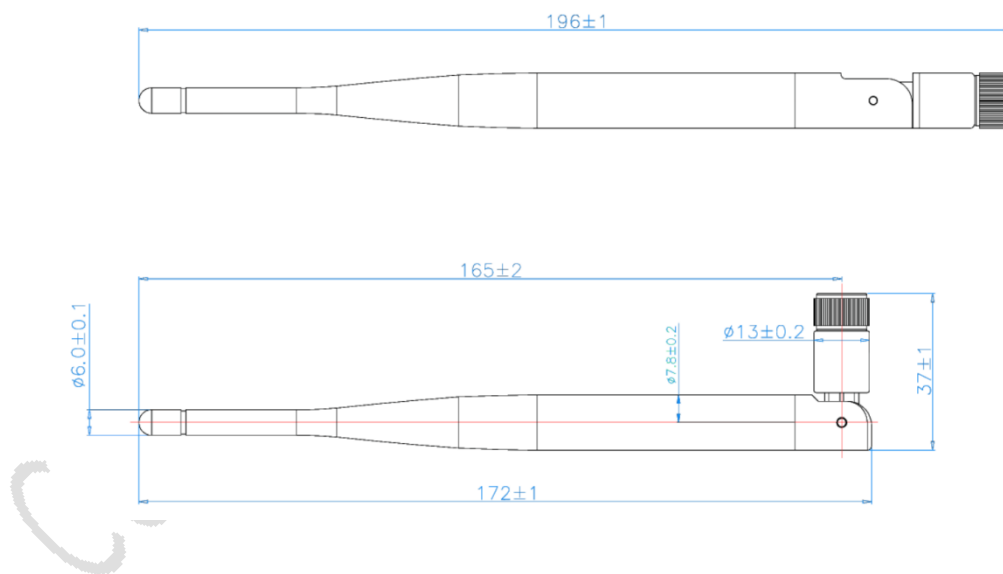
Unit: mm

A100 player

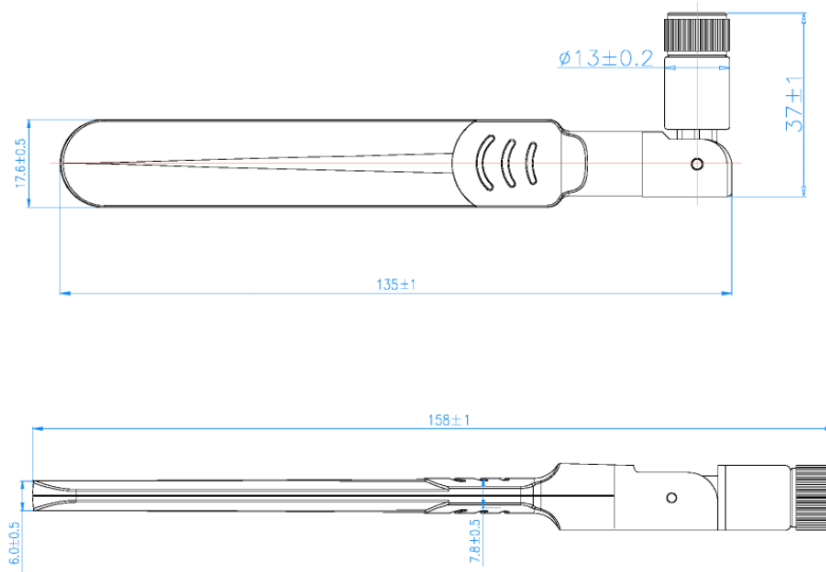
Tolerance: $\pm 0.1\text{mm}$



WiFi antenna



4G antenna (optional)



Configuration and management software

Name	Type	Description
PlayerMaster	PC Client	Used for local and cloud screen management, as well as program editing and publishing
ColorlightCloud	Web	A web-based management system for content publishing, centralized management and screen monitoring
LED Assistant	Mobile Client	Support Android and iOS, enabling wireless control of players

Statement

Thank you for purchasing the product of Colorlight Cloud Tech Ltd. If you encounter any problems during use or have any suggestions, please contact us through official channels. We will do our best to provide support and listen to your valuable suggestions. We will constantly make improvements on technical specifications but without notice. You can visit www.colorlightinside.com to get more updated information.